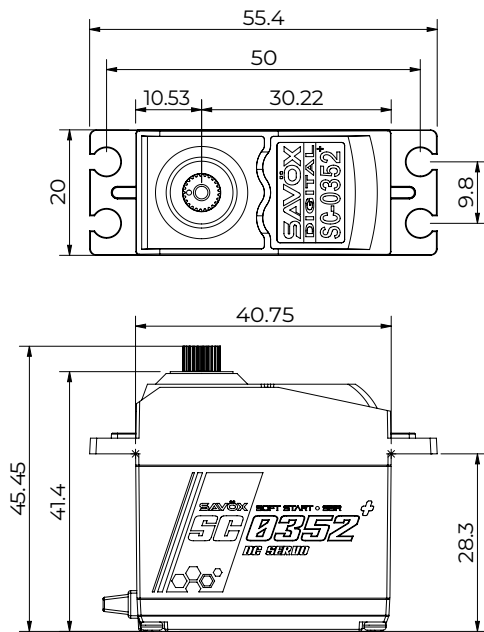


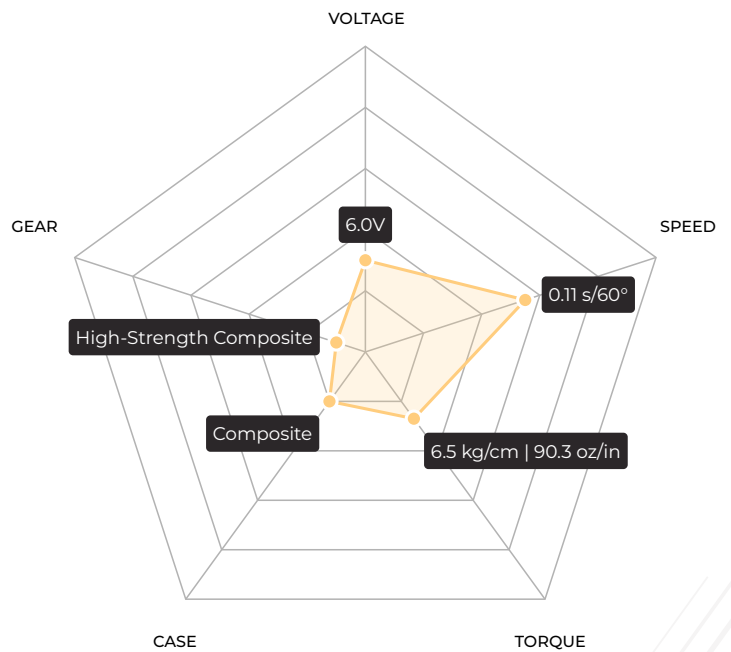


Line	HOBBY LINE
Application	CAR
Servo Size	Standard
Operating Voltage	4.8V-6.0V
Speed	0.11 s/60°
Torque	6.5 kg/cm 90.3 oz/in
Amplifier Type	Digital Controller
Motor Type	DC Motor
Case Type	Composite
Protection	Dust Resistant
Dimensions (L x W x H)	40.75 x 20 x 41.4 mm
Weight	42 g
Gear Type	High-Strength Composite

DIMENSIONS



PERFORMANCE RADAR



DETAILED SPECIFICATION

Compatibility	Sanwa SSR	Potentiometer	VR
Speed @4.8V	0.14 s/60°	Cable	26 AWG 250 ±5 mm
Torque @4.8V	4.2 kg/cm 58.3 oz/in	Connector	JR Connector
Speed @6.0V	0.11 s/60°	Stall Current @4.8V	1300 mA
Torque @6.0V	6.5 kg/cm 90.3 oz/in	Operating Current @4.8V	180 mA
PCB Board	10-bit	Stall Current @6.0V	1500 mA
Rotating Direction	Counterclockwise (when 1500+2000 µsec)	Operating Current @6.0V	240 mA
Max Travel	~164° (when 800+2200 µsec)	Idle Current	6 mA
Operating Travel	120° (when 1000+2000 µsec)	Dead Band Width	3-5 µsec
Neutral Position	1500 µsec	Frequency Range	50-360 Hz
Horn Gear Spline	25T(Φ6)	Control System	Pulse width modification
Bearing	2x Ball Bearings	Operating Temperature	-10°C to 50°C