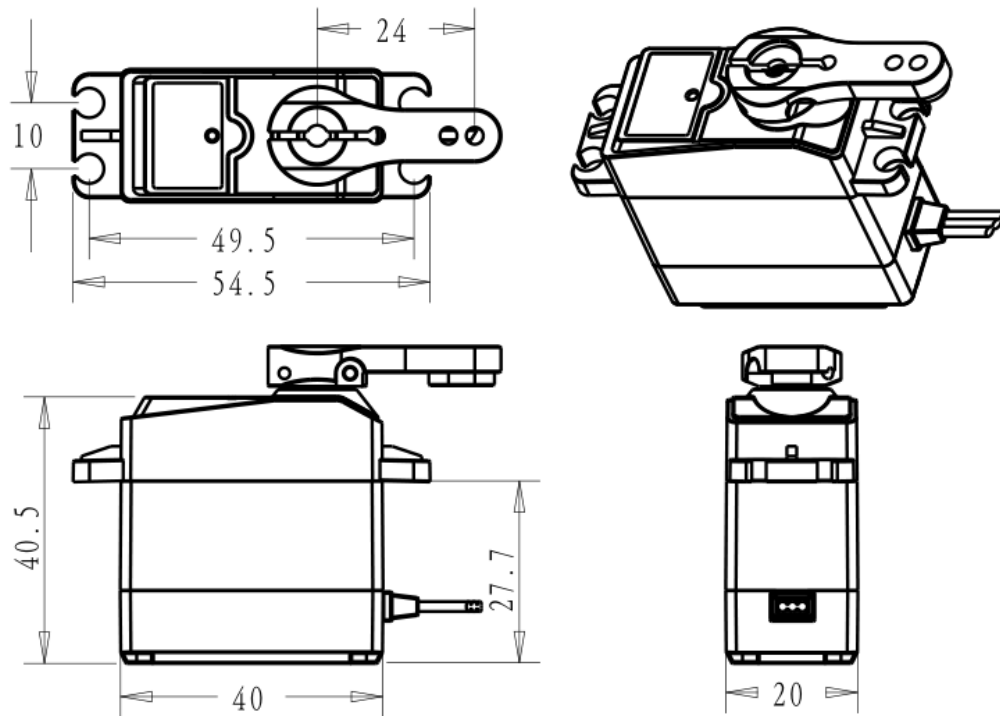




产品型号 (Product Name): DS3225 PRO (Blue)

产品描述 (Product Description): 7.4V 25kg Coreless Digital Servo

产品图 (Drawing)



1. 使用环境条件 Apply Environmental Condition

No.	Item	Specification
1-1	存储温度 Storage Temperature Range	-30°C ~ 80°C
1-2	运行温度 Operating Temperature Range	-15°C ~ 70°C
1-3	工作电压范围 Operating Voltage Range	5-8.4V

2. 机械特性 Mechanical Specification

No.	Item	Specification
2-1	尺寸 Size	40*20*38.5mm
2-2	重量 Weight	60g
2-3	齿轮比 Gear ratio	195
2-4	轴承 Bearing	Double bearing
2-5	舵机线 Connector wire	300±5mm
2-6	马达 Motor	Coreless motor
2-7	防水性能 Waterproof performance	IP66



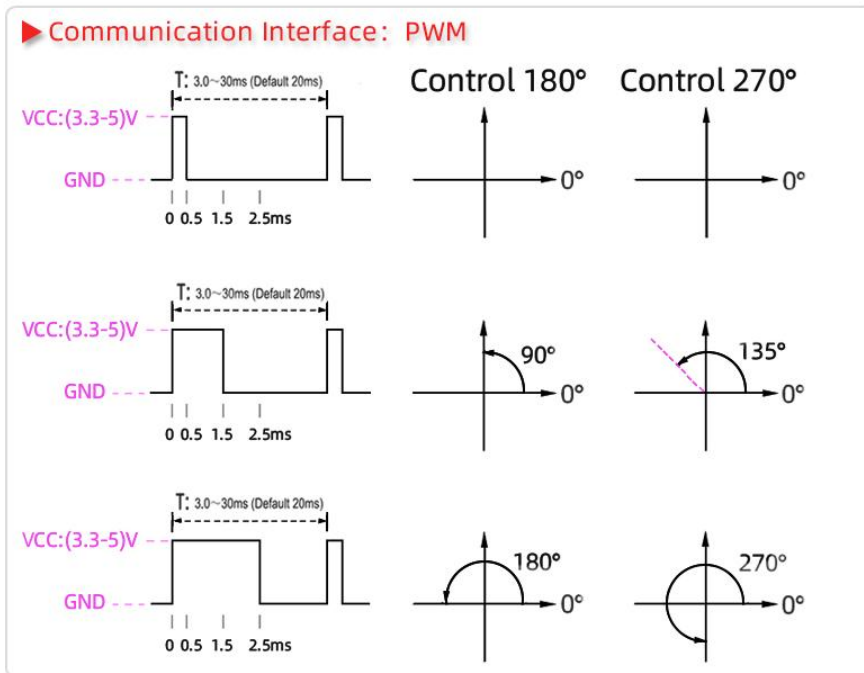
3. 电气特性 Electrical Specification

No.	工作电压 Operating Voltage	5V	6V	7.4V	8.4V
3-1	待机电流 Idle current(at stopped)	5mA	5mA	5mA	5mA
3-2	空载转速 Operating speed (at no load)	0.11 sec/60°	0.09 sec/60°	0.075 sec/60°	0.065 sec/60°
3-3	堵转扭矩 Stall torque (at locked)	26 kg-cm	30 kg-cm	35 kg-cm	39 kg-cm
3-4	堵转电流 Stall current (at locked)	3.5A	4.2 A	5.2 A	5.8A

4. 控制特性 Control Specification

No.	Item	Specification
4-1	驱动方式 Control System	PWM(Pulse width modification)
4-2	脉宽范围 Pulse width range	500~2500 μsec
4-3	中点位置 Neutral position	1500 μsec
4-4	控制角度 Running degree	180° or 270° (when 500~2500 μ sec)
4-5	控制精度 Dead band width	2 μsec
4-6	控制频率 Operating frequency	50-330Hz
4-7	旋转方向 Rotating direction	Counterclockwise (when 500~2500 μsec)

5. 关于 PWM 控制说明 About PWM Control



更多的舵机规格书和 3D 模型，请到网站下载(For more servo datasheet and 3D files, please go to the website to download) www.dsservo.com